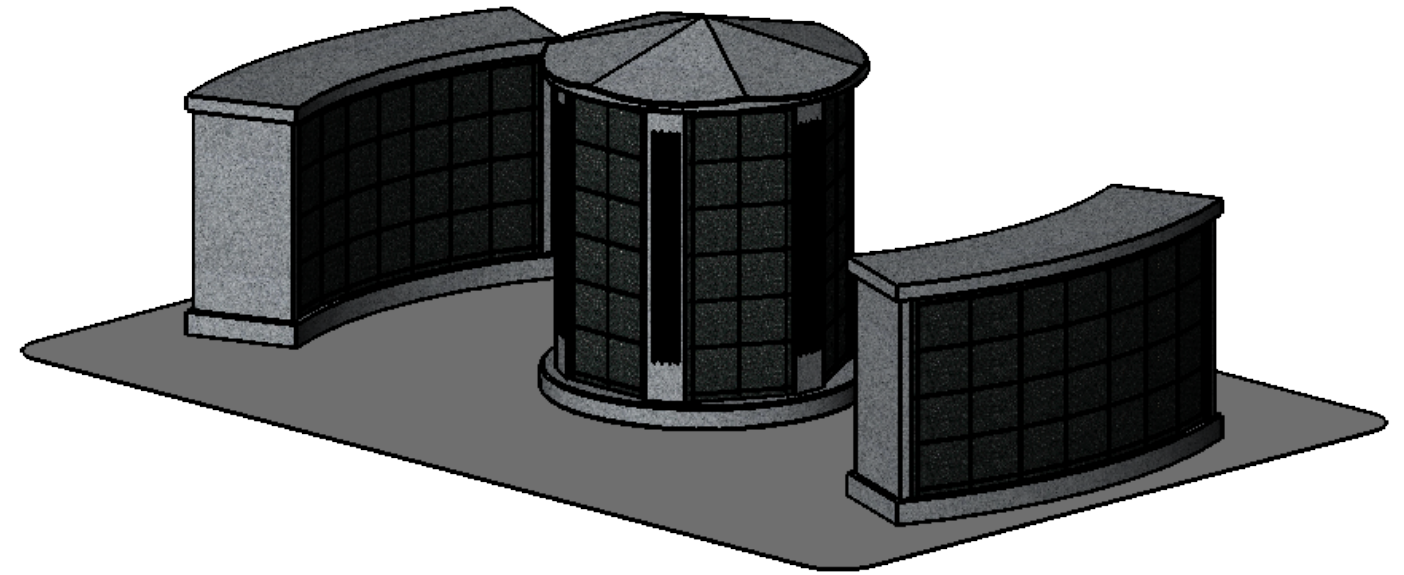
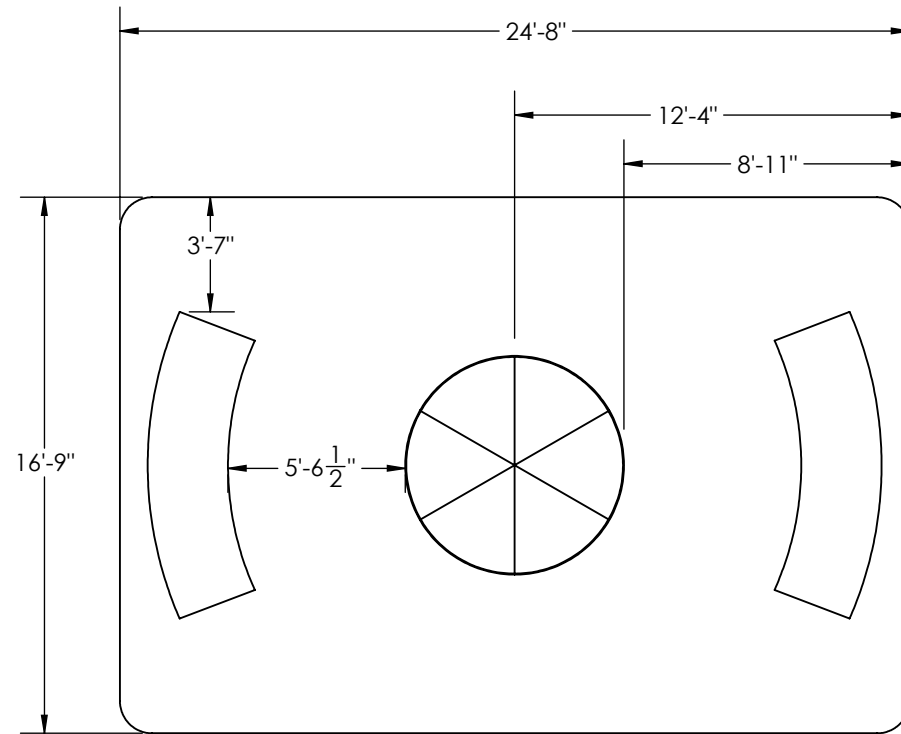
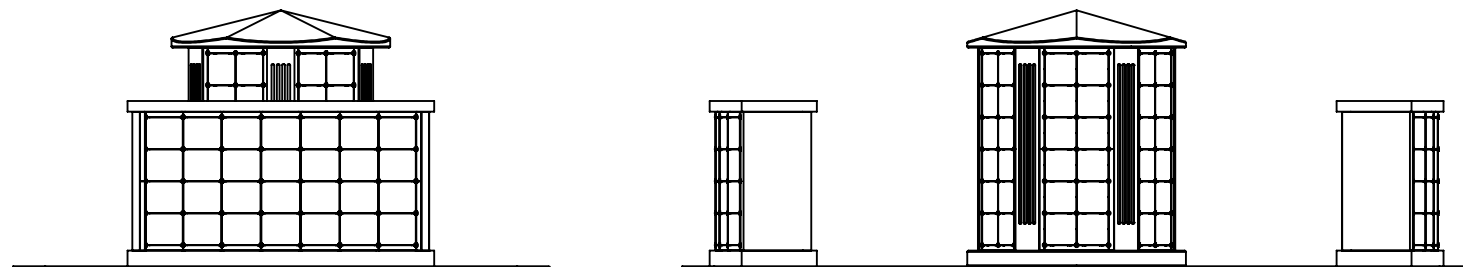
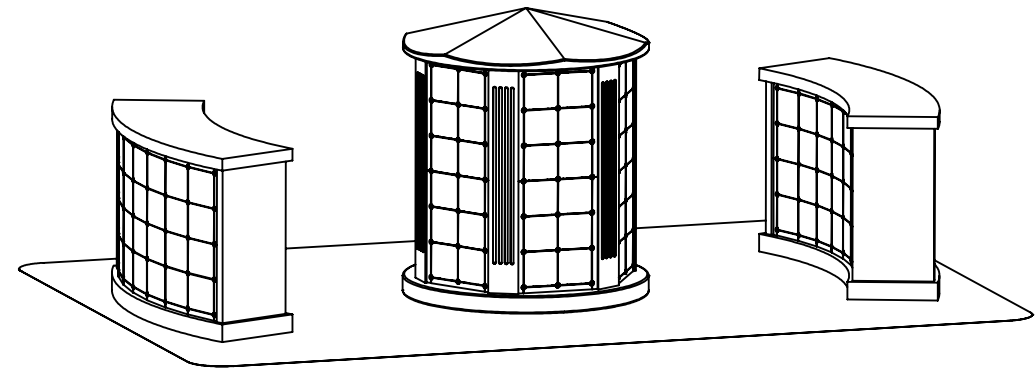


ITEM NO.	PART NUMBER	DESCRIPTION	QTY.
1	C72-12-16-PEAKED-1	C72 PEAKED TOP	1
2	Q56-7X4-12-DEEP-1	Q56 QUARTER ROUND 7 WIDE 4 HIGH 12" DEEP	2

REV.		DESCRIPTION	DATE	APPROVED
01		INITIAL RELEASE	7/2/2019	DM

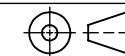


3D VIEW
SCALE: NTS



PROPRIETARY AND CONFIDENTIAL
THE INFORMATION CONTAINED IN THIS DRAWING IS THE SOLE PROPERTY OF KMI COLUMBARIA. ANY REPRODUCTION IN PART OR AS A WHOLE WITHOUT THE WRITTEN PERMISSION OF KMI COLUMBARIA IS PROHIBITED.

UNLESS OTHERWISE SPECIFIED:
DIMENSIONS ARE IN INCHES
FRACTIONAL ± 1/64
ANGULAR: MACH ± 1° BEND ± 1°
TWO PLACE DECIMAL ± .030
THREE PLACE DECIMAL ± .010
INTERPRET DIM AND TOL PER ASME Y14.5M - 1994
THIRD ANGLE PROJECTION



TITLE: GARDEN PAD

	NAME	DATE
DRAWN	QMINX	7/2/2019
CHECKED		
ENG APPR.	DM	7/2/2019

SIZE	DWG. NO.	REV
B	GARDEN-PAD-2	01
SCALE: 1:72		SHEET 1 OF 1